

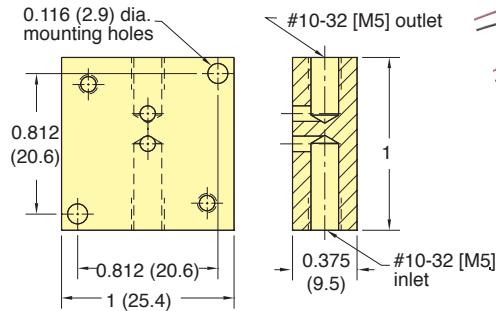


ES, ESO SERIES VALVES SINGLE MANIFOLDS

26090-1



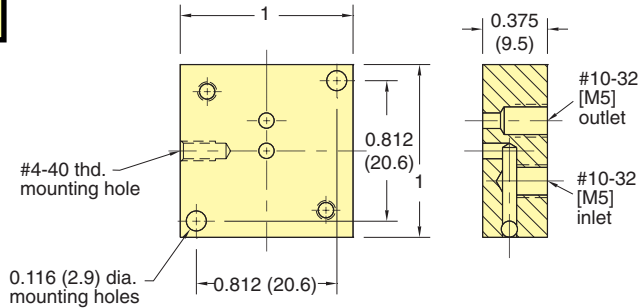
Single Station Side Port Manifold



26090-2



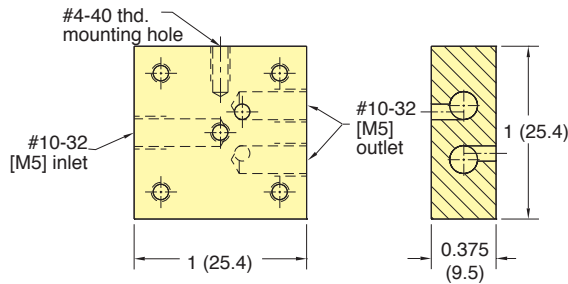
Single Station Bottom Port Manifold



26090-3



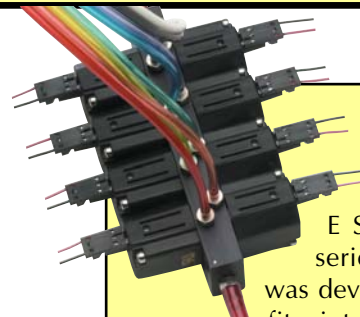
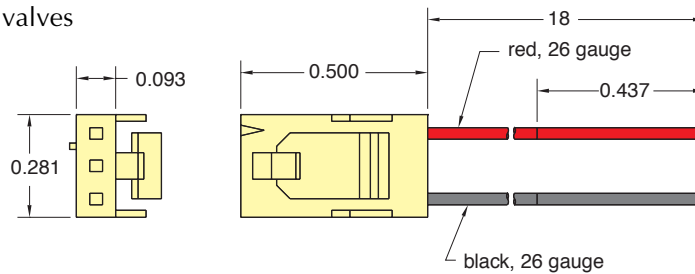
Dual Station Manifold



C3-RXB18



AMP Connector #103960-2 with 18" wire leads for ES/ESO valves



The ES/ESO series valve was developed to fit into tighter physical envelopes. By reducing the size of the base as well as the size of the coil, a considerable volume savings was achieved.

As in the case of the EV/EVO product, the ES/ESO uses the single moving part design proven many times in the EV/ET/EC series valves. Of course, given the reduced size of the coil the power to operate increases to 1 watt.

Because of its reliability, the ES/ESO series valve is found in many of the same applications and industries as its predecessor, the EV/ET/EC. However, the smaller size finds it used more commonly in portable or mobile equipment. This makes the valve particularly applicable in home healthcare applications.

Lead Set Chart For ES Valve

Part No.	Used On	Wire Colors			Lead Length	Wire Gage
		Pin 1	Pin 2	Pin 3		
C3-RXB18	ES	red	~	black	18"	#26